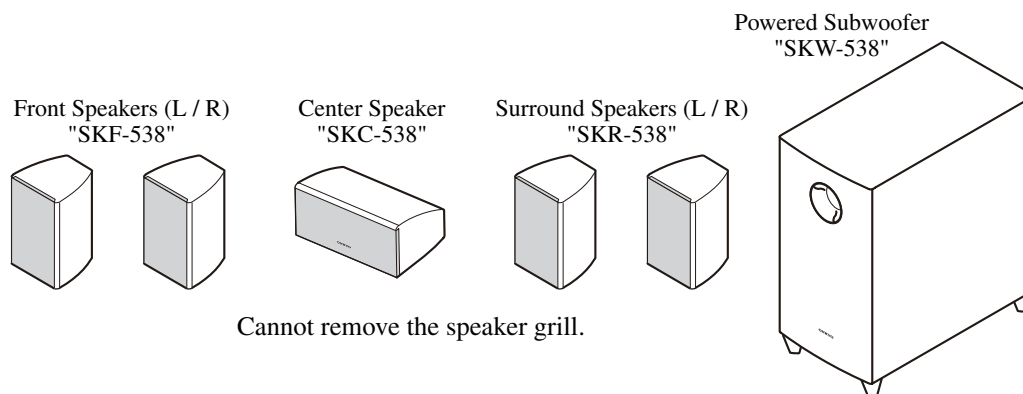


ONKYO SERVICE MANUAL


5.1-CH HOME THEATER SPEAKER PACKAGE MODEL HTP-538(B)/(S)



Black and Silver models

HT-S5305	HTP-538	
B MPP	B MPP	230V AC, 50Hz
S MPP	S MPP	230V AC, 50Hz

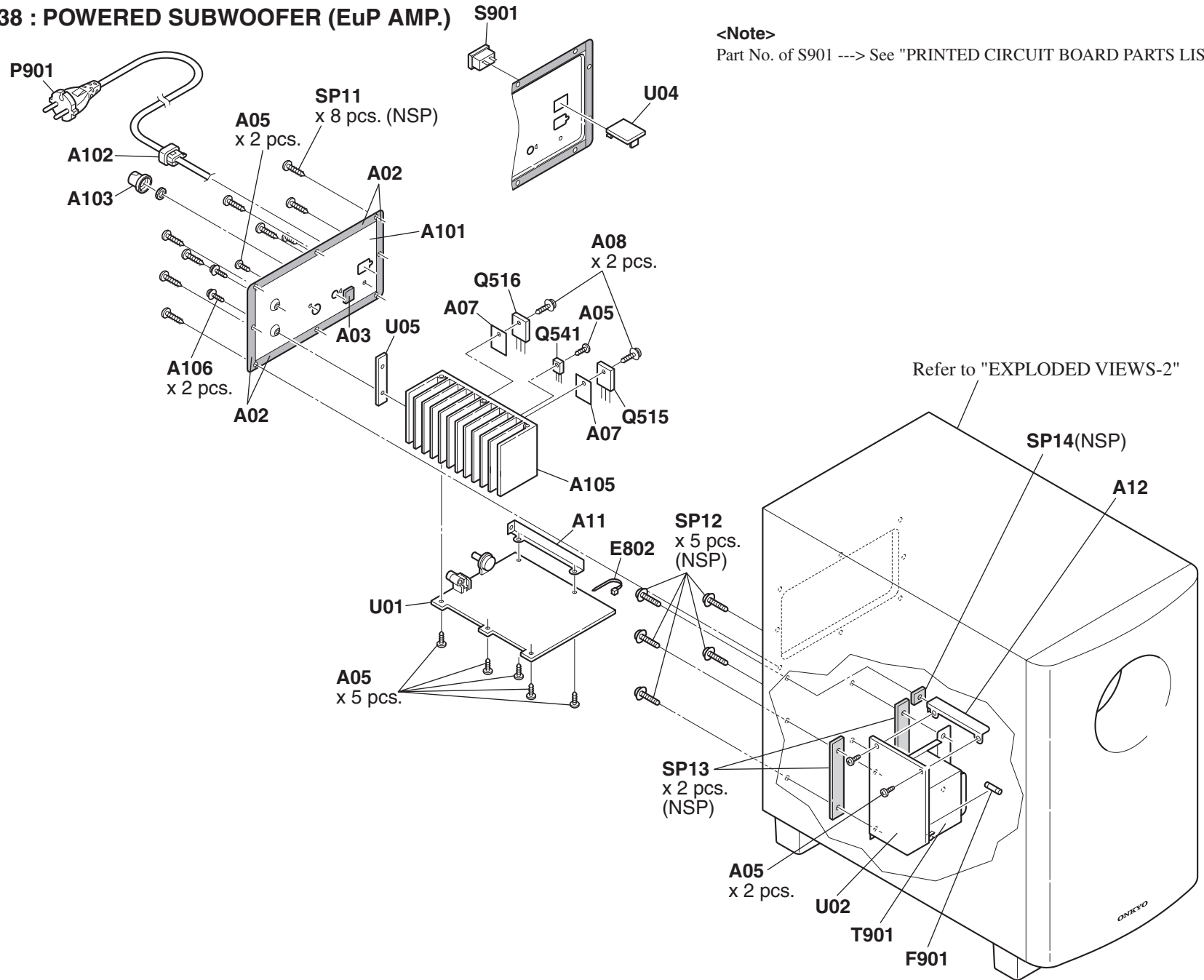
SAFETY-RELATED COMPONENT WARNING!!

COMPONENTS IDENTIFIED BY MARK  ON THE SCHEMATIC DIAGRAM AND IN THE PARTS LIST ARE CRITICAL FOR RISK OF FIRE AND ELECTRIC SHOCK. REPLACE THESE COMPONENTS WITH ONKYO PARTS WHOSE PART NUMBERS APPEAR AS SHOWN IN THIS MANUAL.

MAKE LEAKAGE-CURRENT OR RESISTANCE MEASUREMENTS TO DETERMINE THAT EXPOSED PARTS ARE ACCEPTABLY INSULATED FROM THE SUPPLY CIRCUIT BEFORE RETURNING THE APPLIANCE TO THE CUSTOMER.

EXPLODED VIEWS-1

SKW-538 : POWERED SUBWOOFER (EuP AMP.)



<Note>

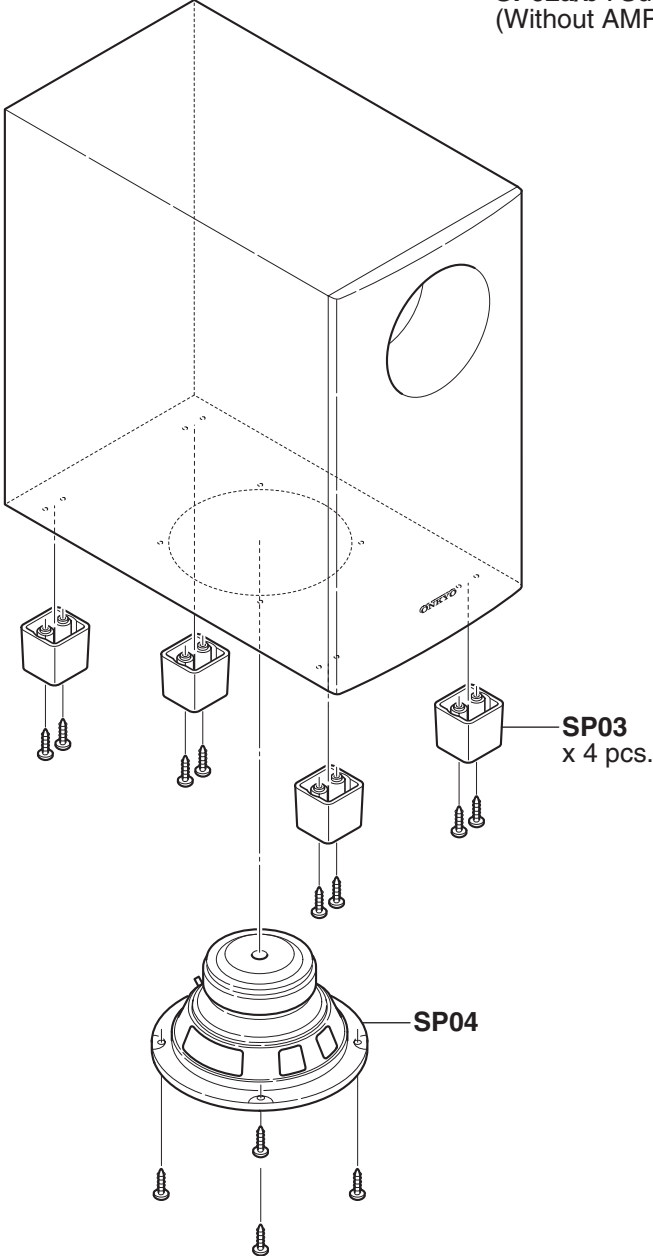
Part No. of S901 ----> See "PRINTED CIRCUIT BOARD PARTS LIST".

EXPLODED VIEWS-2

SKW-538 : POWERED SUBWOOFER

----- **SP01a/b** : Subwoofer ass'y completed -----

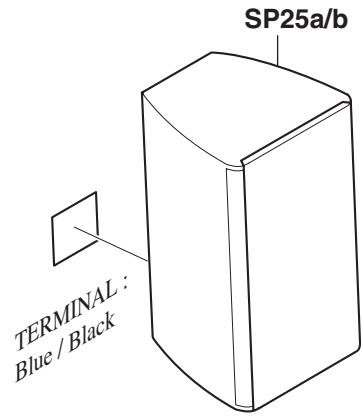
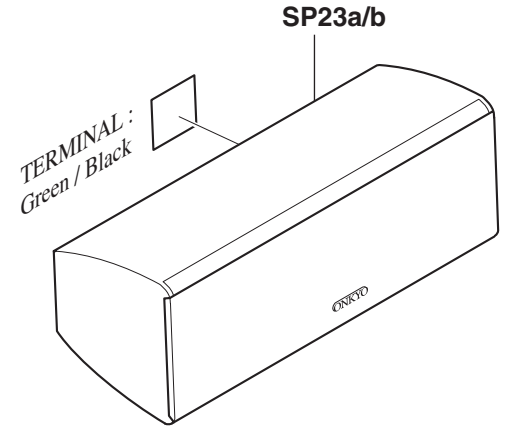
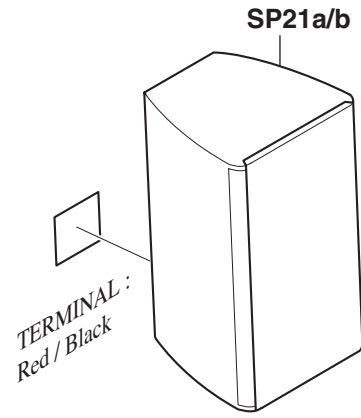
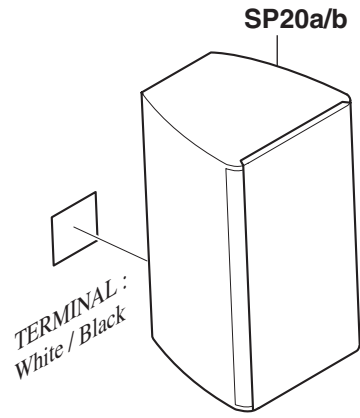
----- **SP02a/b** : Subwoofer ass'y
(Without AMP unit, Power transformer) -----



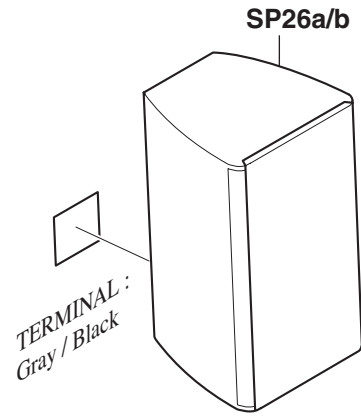
EXPLODED VIEWS-3

SKF-538, SKC-538, SKR-538

<Note>
Cannot remove the speaker grill.



NOT MAGNETICALLY SHIELDED




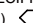


NOT MAGNETICALLY SHIELDED

SCHEMATIC DIAGRAM

SKW-538 : POWERED SUBWOOFER (POWER SWITCH)

U01 MAIN PC BOARD BCAF-0491

NOTE

- THE COMPONENTS IDENTIFIED BY MARK  ARE CRITICAL FOR SAFETY. REPLACE ONLY WITH PART NUMBER SPECIFIED.
- VOLTAGE (MEASURED WITH VOLTMETER)  IS DC VOLTAGE.(NO INPUT SIGNAL).
- ALL PNP TRANSISTORS ARE EQUIVALENT TO 2SA1015-GR UNLESS OTHERWISE NOTED.
- ALL NPN TRANSISTORS ARE EQUIVALENT TO 2SC1815-GR UNLESS OTHERWISE NOTED.
- ALL DIODES ARE EQUIVALENT TO 1SS133 UNLESS OTHERWISE NOTED.
- ELECTROLYTIC CAPACITORS () ARE IN uF/WV.
- ALL CAPACITORS ARE IN pF/50WV UNLESS OTHERWISE NOTED.
EX) 030- 3pF 330- 33pF 331- 330pF 333- 0.033uF
- ALL RESISTORS ARE IN OHMS 1/4WATTS UNLESS OTHERWISE NOTED.
- THE THICK LINES ON PC BOARD ARE THE PRINTING SIDE OF THE PARTS.
EX)  PRINTING SIDE
- CIRCUIT IS SUBJECT TO CHANGE FOR IMPROVEMENT.

CAUTION

FOR CONTINUED PROTECTION AGAINST FIRE HAZARD, REPLACE ONLY WITH FUSE OF SAME TYPE AND RATING INDICATED.



ATTENTION

AFIN D'ASSURER UNE PROTECTION PERMANENTE CONTRE LES RISQUES D'INCENDIE, REMPLACER UNIQUEMENT PAR UN FUSIBLE DE MEME TYPE ET CALIBRATION COMME INDIQUE.



THIS SYMBOL LOCATED NEAR THE FUSE INDICATES THAT THE FUSE USED IS SLOW OPERATING TYPE FOR CONTINUED PROTECTION AGAINST FIRE HAZARD,REPLACE WITH SAME TYPE FUSE. FOR FUSE RATING REFER TO THE MARKING ADJACENT TO THE SYMBOL.

CE SYMBOLE INDIQUE QUE LE FUSIBLE UTILISE EST LENT.POUR UNE PROTECTION PERMANENTE,N'UTILISER QUE DES FUSIBLES DE MEME TYPE. CE DERNIER EST INDIQUE LA QU LE PRESENT SYMBOLE EST APOSE.

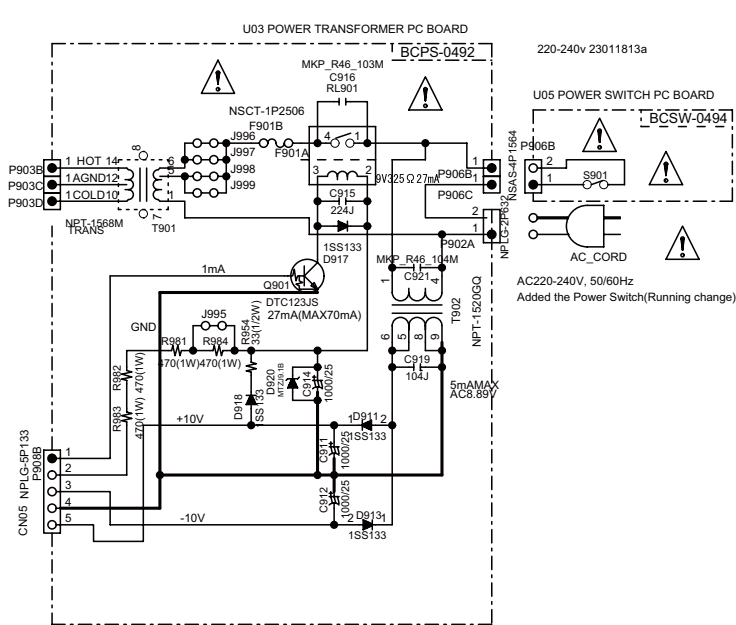
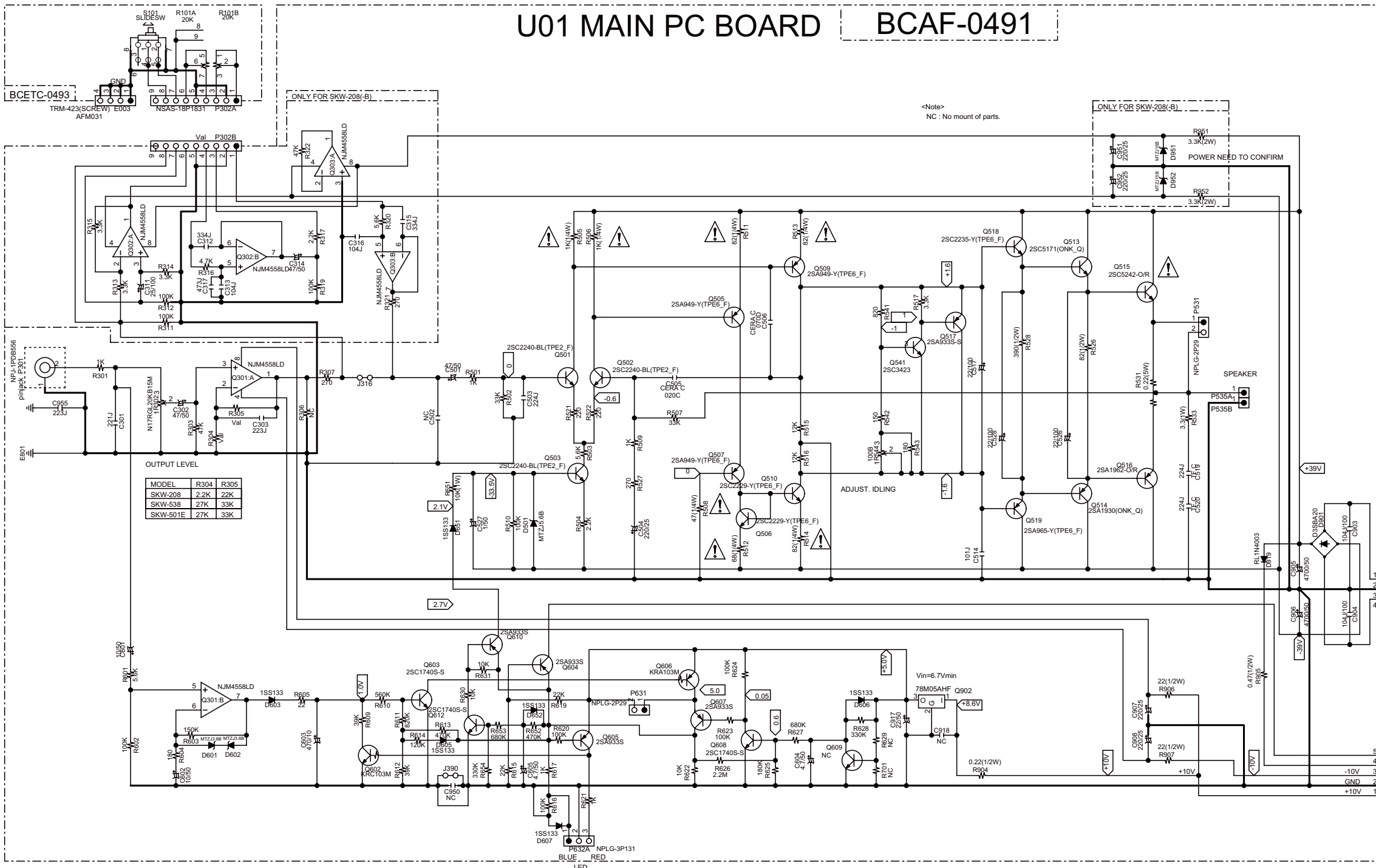
1

2

3

4

5



AC220-240V, 50/60Hz
Added the Power Switch(Running change)

HTP-538

EXPLODED VIEWS PARTS LIST

NOTE : THE COMPONENTS IDENTIFIED BY THE MARK
**! ARE CRITICAL FOR RISK OF FIRE AND
 ELECTRIC SHOCK. REPLACE ONLY WITH PART
 NUMBER SPECIFIED.**

<Notes>

- (B) : Black model
- (S) : Silver model
- <L> : Lch
- <R> : Rch

REF. NO.	PART NAME	DESCRIPTION	Q'TY	PART NO. (SN)	REMARKS
EXPLODED	SKW-538 (B)/(S) : POWERED SUBWOOFER (EuP AMP.)				
EXPLODED	AMPLIFIER SECTION (SKW-538)				
EXPLODED	[SEMI CONDUCTOR]				
EXPLODED	Q515	TR		2SC5242-R	1 2202842
EXPLODED	Q515or	TR		2SC5242-O	(1) 2202843
EXPLODED	Q516	TR		2SA1962-R	1 2202832
EXPLODED	Q516or	TR		2SA1962-O	(1) 2202833
EXPLODED	Q541	TR		2SC3423-Y	1 2202104
EXPLODED	Q541or	TR		2SC3423-O	(1) 2202103
EXPLODED	<Note>				
EXPLODED	When replacement the following the transistor, made from the same HFE rank as the original type.				
EXPLODED	Q515, Q516, Q541				
EXPLODED	[CHASSIS SCREW]				
EXPLODED	A02	CUSHION		---	2 28141751
EXPLODED	A03	CUSHION		---	1 28141691
EXPLODED	A05	SCREW		3TTB+8B(3BC)	10 838430088GR
EXPLODED	A07	ISO SHEET		AC238	2 223024
EXPLODED	A08	SCREW		3SMS8W.SW+14B(CU)	2 801634
EXPLODED	A11	RETAINER		(PCB)	1 27142025
EXPLODED	A12	RETAINER		(TRANS)SKW-538	1 27142177
EXPLODED	A101	REAR PANEL		SKW-538MPP	1 27124120A
EXPLODED	A102	BUSHING		S-RELIEF #2271	1 27300750 !
EXPLODED	A103	KNOB		(VOL)	1 28326463
EXPLODED	A105	HEAT SINK		(242)	1 27160612
EXPLODED	A106	SCREW		3SMS8W.SW+14B(3BC)	2 801433GR
EXPLODED	[TRANS COIL]				
EXPLODED	T901	P TRANS		NPT-1568M	1 2301928

EXPLODED	[SW TRM]					
EXPLODED	E802	WIRE TIE	BSK-1	1	260208	
EXPLODED	F901	FUSE	1.6A-SE-EAK IECFUSE	1	252073GR	!
EXPLODED	P901	AC CORD	AS-CEE-2	1	253374YUN	!
EXPLODED	P901or	AC CORD	AS-CEE-2	(1)	253306VOL	!
EXPLODED	[MECHA PARTS]					
EXPLODED	A106	SOCKET AS	NSAS-3P1846	1	2009991184UL	
EXPLODED	A107	FACET	SKW-538AMP	1	28200047	
EXPLODED	[TUNER UNIT]					
EXPLODED	U01	MAIN PC BOARD ASS'Y	BAAF-0491-1A *	1	1B249591-1A	
EXPLODED	U02	POWER TRANS. PC BOARD ASS'Y	BAPS-0492-1A	1	1B249592-1A	
EXPLODED	U04	POWER SWITCH PC BOARD	BASW-0494-1A	1	---	NSP
EXPLODED	U05	HOLDER PC BOARD	BAETC-0495-1A	1	---	NSP
EXPLODED	SPEAKER SECTION (SKW-538)					

EXPLODED	SP01a	SUBWOOFER ASS'Y	SKW-538 BLACK MPP	1	000-SKW538CBMPPCSER	(B)
EXPLODED	SP01b	SUBWOOFER ASS'Y	SKW-538 SILVER MPP	1	000-SKW538CSMPPCSER	(S)
EXPLODED	SP02a	SUBWOOFER ASS'Y	SKW-538 BLACK MPP	1	000-SKW538CBMPPESE	(B)
EXPLODED	SP02b	SUBWOOFER ASS'Y	SKW-538 SILVER MPP	1	000-SKW538CSMPPESE	(S)
EXPLODED	<Note>					
EXPLODED	SP01a/b = Completed					
EXPLODED	SP02a/b = Without AMP unit, Power transformer					
EXPLODED	SP03	PLASTIC FOOT	BLACK	4	D243-TX2201B-00	
EXPLODED	SP04	SPEAKER UNIT	16cm 4ohm RoHS (FPI)	1	300-DHTP5381600	
EXPLODED	SKF-538(B)(S) : FRONT SPEAKERS <L>					
EXPLODED	SKF-538(B)(S) : FRONT SPEAKERS <R>					
EXPLODED	SP20a	COMPLETE UNIT	"SKF-538 (B) Lch"	1	ASF72538-BM70	(B) <L>
EXPLODED	SP20b	COMPLETE UNIT	"SKF-538 (S) Lch"	1	ASF72538-SMPP	(S) <L>
EXPLODED	SP21a	COMPLETE UNIT	"SKF-538 (B) Rch"	1	ASF73538-BM70	(B) <R>
EXPLODED	SP21b	COMPLETE UNIT	"SKF-538 (S) Rch"	1	ASF73538-SMPP	(S) <R>
EXPLODED	SKC-538(B)(S) : CENTER SPEAKER					
EXPLODED	SP23a	COMPLETE UNIT	"SKC-538 (B)"	1	ASF76538-BM70	(B)
EXPLODED	SP23b	COMPLETE UNIT	"SKC-538 (S)"	1	ASF76538-SMPP	(S)
EXPLODED	SKR-538(B)(S) : SURROUND SPEAKERS <L>					
EXPLODED	SKR-538(B)(S) : SURROUND SPEAKERS <R>					
EXPLODED	SP25a	COMPLETE UNIT	"SKR-538 (B) Lch"	1	ASF74538-BM70	(B) <L>
EXPLODED	SP25b	COMPLETE UNIT	"SKR-538 (S) Lch"	1	ASF74538-SMPP	(S) <L>
EXPLODED	SP26a	COMPLETE UNIT	"SKR-538 (B) Rch"	1	ASF75538-BM70	(B) <R>
EXPLODED	SP26b	COMPLETE UNIT	"SKR-538 (S) Rch"	1	ASF75538-SMPP	(S) <R>
---	SATELLITE PACKAGE					
---	---	SATELLITE PACKAGE(B)	(SKF-538 + SKC-538 + SKR-538)	1	ANS7P538B-SFCS	(B)
---	---	SATELLITE PACKAGE(S)	(SKF-538 + SKC-538 + SKR-538)	1	ANS7P538S-SFCS	(S)

HTP-538

PRINTED CIRCUIT BOARD PARTS LIST

NOTE : THE COMPONENTS IDENTIFIED BY THE MARK
! ARE CRITICAL FOR RISK OF FIRE AND
 ELECTRIC SHOCK. REPLACE ONLY WITH PART
 NUMBER SPECIFIED.

SKW-538

	U01	MAIN PC BOARD (BAAF-0491-1A)				
	U02	POWER TRANS. PC BOARD (BAPS-0492-1A)				
PWB	CIRCUIT NO.	PART NAME	DESCRIPTION	Q'TY	PART NO. (SN)	REMARKS
PWB	[SEMI CONDUCTOR]					
PWB	D501	ZENER D	MTZJ5.6B	1	224470562T	
PWB	D601	ZENER D	MTZJ3.6B	1	224470362T	
PWB	D602	ZENER D	MTZJ3.6B	1	224470362T	
PWB	D603	DIODE	ISS133	1	223163T	
PWB	D605	DIODE	ISS133	1	223163T	
PWB	D606	DIODE	ISS133	1	223163T	
PWB	D607	DIODE	ISS133	1	223163T	
PWB	D651	DIODE	ISS133	1	223163T	
PWB	D652	DIODE	ISS133	1	223163T	
PWB	D901	DIODE	D3SBA20	1	22380271F	

PWB	D911	DIODE	ISS133	1	223163T
PWB	D913	DIODE	ISS133	1	223163T
PWB	D917	DIODE	ISS133	1	223163T
PWB	D918	DIODE	ISS133	1	223163T
PWB	D919	DIODE	RL1N4003	1	22380260T
PWB	D920	ZENER D	MTZJ9.1B	1	224470912T
PWB	<Note>				
PWB	When replacement the following the transistor, made from the same HFE rank as the original type.				
PWB	Q301	IC	NJM4558L-D	1	22240293
PWB	Q501	TR	2SC2240-BL(TPE2_F)	1	2211406T
PWB	Q502	TR	2SC2240-BL(TPE2_F)	1	2211406T
PWB	Q503	TR	2SC2240-BL(TPE2_F)	1	2211406T
PWB	Q505	TR	2SA949-O(TPE6_F)	1	2211353T
PWB	Q505 or	TR	2SA949-Y(TPE6_F)	(1)	2211354T
PWB	Q505 or	TR	KTA1024-Y	(1)	2215844T
PWB	Q506	TR	2SC2229-O(TPE6_F)	1	2211633T
PWB	Q506 or	TR	2SC2229-Y(TPE6_F)	(1)	2211634T
PWB	Q506 or	TR	KTC3206-Y	(1)	2215854T
PWB	Q507	TR	2SA949-O(TPE6_F)	1	2211353T
PWB	Q507 or	TR	2SA949-Y(TPE6_F)	(1)	2211354T
PWB	Q507 or	TR	KTA1024-Y	(1)	2215844T
PWB	Q509	TR	2SA949-O(TPE6_F)	1	2211353T
PWB	Q509 or	TR	2SA949-Y(TPE6_F)	(1)	2211354T
PWB	Q509 or	TR	KTA1024-Y	(1)	2215844T
PWB	Q510	TR	2SC2229-O(TPE6_F)	1	2211633T
PWB	Q510 or	TR	2SC2229-Y(TPE6_F)	(1)	2211634T
PWB	Q510 or	TR	KTC3206-Y	(1)	2215854T
PWB	Q513	TR	2SC5171(ONK_Q)	1	2203010
PWB	Q513 or	TR	KTD2061-Y	(1)	2203434
PWB	Q514	TR	2SA1930(ONK_Q)	1	2203000
PWB	Q514 or	TR	KTB1369-Y	(1)	2203424
PWB	Q517	TR	2SA933S-S	1	2213355T
PWB	Q517 or	TR	2SA933S-R	(1)	2213354T
PWB	Q517 or	TR	KTA1267-GR	(1)	2215995T
PWB	Q518	TR	2SC2235-Y(TPE6_F)	1	2211654T
PWB	Q519	TR	2SA965-Y(TPE6_F)	1	2211644T
PWB	Q602	TR	KRC103M	1	2215810T

PWB	Q602 or	TR	DTC124ES	(1)	2213160T
PWB	Q603	TR	2SC1740S-S	1	2213285T
PWB	Q603 or	TR	2SC1740S-R	(1)	2213284T
PWB	Q603 or	TR	KTC3199-GR	(1)	2215864T
PWB	Q604	TR	2SA933S-S	1	2213355T
PWB	Q604 or	TR	2SA933S-R	(1)	2213354T
PWB	Q604 or	TR	KTA1267-GR	(1)	2215995T
PWB	Q605	TR	2SA933S-S	1	2213355T
PWB	Q605 or	TR	2SA933S-R	(1)	2213354T
PWB	Q605 or	TR	KTA1267-GR	(1)	2215995T
PWB	Q606	TR	KRA103M	1	2215780T
PWB	Q606 or	TR	DTA124ES	(1)	2212600T
PWB	Q607	TR	2SA933S-S	1	2213355T
PWB	Q607 or	TR	2SA933S-R	(1)	2213354T

PWB	Q607 or	TR	KTA1267-GR	(1)	2215995T
PWB	Q608	TR	2SC1740S-S	1	2213285T
PWB	Q608 or	TR	2SC1740S-R	(1)	2213284T
PWB	Q608 or	TR	KTC3199-GR	(1)	2215864T
PWB	Q610	TR	2SA933S-S	1	2213355T
PWB	Q610 or	TR	2SA933S-R	(1)	2213354T
PWB	Q610 or	TR	KTA1267-GR	(1)	2215995T
PWB	Q612	TR	2SC1740S-S	1	2213285T
PWB	Q612 or	TR	2SC1740S-R	(1)	2213284T
PWB	Q612 or	TR	KTC3199-GR	(1)	2215864T
PWB	Q901	TR	DTC123JS	1	2213640T
PWB	Q902	IC	78M05AHF(MPC78M05AHF)	1	222780055NEC
PWB	[TRANS COIL]				
PWB	T902	P TRANS	NPT-1520GQ	1	2301813A
PWB	[CAPACITOR]				
PWB	C301	UPZ C	2AUPZTF221JE	1	376332214T
PWB	C302	UTSP C	CE04W50V-47M(UTSP)	1	397584707T
PWB	C303	TF C	ECQ-V50V-223J	1	374722234T
PWB	C501	UTSP C	CE04W50V-47M(UTSP)	1	397584707T
PWB	C503	TF C	ECQ-V50V-224J	1	374722244T
PWB	C504	UTSP C	CE04W25V-220M(UTSP)	1	397552217T
PWB	C505	CERA C	CC45CH50V-020C	1	345340201T
PWB	C506	CERA C	CC45CH50V-070D	1	345340702T
PWB	C514	UPZ C	2AUPZTF101JE	1	376331014T
PWB	C517	VR C	CE04W100V-22M(VR)	1	394692207T
PWB	C519	TF C	ECQ-V50V-224J	1	374722244T
PWB	C520	TF C	ECQ-V50V-224J	1	374722244T
PWB	C526	VR C	CE04W100V-22M(VR)	1	394692207T
PWB	C527	UTSP C	CE04W50V-1M(UTSP)	1	397580107T
PWB	C528	VR C	CE04W100V-22M(VR)	1	394692207T
PWB	C601	UTSP C	CE04W50V-10M(UTSP)	1	397581007T
PWB	C602	UTSP C	CE04W50V-10M(UTSP)	1	397581007T
PWB	C603	UTSP C	CE04W10V-470M(UTSP)	1	397534717T
PWB	C604	UTSP C	CE04W50V-4.7M(UTSP)	1	397580477T
PWB	C605	UTSP C	CE04W50V-4.7M(UTSP)	1	397580477T
PWB	C903	TF C	ECQ-V100V-104J	1	374731044T
PWB	C904	TF C	ECQ-V100V-104J	1	374731044T

PWB	C905	ELECT C	CE62W50V4700M	1	3504463	
PWB	C906	ELECT C	CE62W50V4700M	1	3504463	
PWB	C907	UTSP C	CE04W25V-220M(UTSP)	1	397552217T	
PWB	C908	UTSP C	CE04W25V-220M(UTSP)	1	397552217T	
PWB	C911	UTSK C	CE04W25V-1000M(UTSK)	1	398351027S	
PWB	C912	UTSK C	CE04W25V-1000M(UTSK)	1	398351027S	
PWB	C914	UTSK C	CE04W25V-1000M(UTSK)	1	398351027S	
PWB	C915	TF C	ECQ-V50V-224J	1	374722244T	
PWB	C916	IS C	MKP R46 103M	1	3500202S	!
PWB	C917	UTSP C	CE04W50V-22M(UTSP)	1	397582207T	
PWB	C919	TF C	ECQ-V50V-104J	1	374721044T	
PWB	C920	IS C	DE1007E472M-KY	1	3300063	
PWB	C955	TF C	ECQ-V50V-223J	1	374722234T	
PWB	[RESISTOR]					

PWB	R301	CARBON R	R16J-1K	1	417341024T	
PWB	R302	VARI R	N17RGL20KB15M	1	5151508	
PWB	R303	CARBON R	R16J-47K	1	417344734T	
PWB	R304	CARBON R	R16J-27K	1	417342734T	
PWB	R305	CARBON R	R16J-33K	1	417343334T	
PWB	R307	CARBON R	R16J-270	1	417342714T	
PWB	R501	CARBON R	R16J-1K	1	417341024T	
PWB	R502	CARBON R	R16J-33K	1	417343334T	
PWB	R503	CARBON R	R16J-5.6K	1	417345624T	
PWB	R504	CARBON R	R16J-2.2K	1	417342224T	
PWB	R505	NF CARBON R	R25J-1.0K	1	415471024T	!
PWB	R506	NF CARBON R	R25J-1.0K	1	415471024T	!
PWB	R507	CARBON R	R16J-33K	1	417343334T	
PWB	R508	NF CARBON R	R25J-47	1	415474704T	!
PWB	R509	CARBON R	R16J-1K	1	417341024T	
PWB	R510	CARBON R	R16J-100K	1	417341044T	
PWB	R511	NF CARBON R	R25J-82	1	415478204T	!
PWB	R512	NF CARBON R	R25J-68	1	415476804T	!
PWB	R513	NF CARBON R	R25J-82	1	415478204T	!
PWB	R514	NF CARBON R	R25J-82	1	415478204T	!
PWB	R515	CARBON R	R16J-12K	1	417341234T	
PWB	R516	CARBON R	R16J-12K	1	417341234T	
PWB	R517	CARBON R	R16J-3.3K	1	417343324T	
PWB	R521	CARBON R	R16J-220	1	417342214T	
PWB	R522	CARBON R	R16J-220	1	417342214T	
PWB	R526	METAL O R	RS1/2WBJ-82	1	443528204T	
PWB	R527	CARBON R	R16J-270	1	417342714T	
PWB	R528	METAL O R	RS1/2WBJ-390	1	443523914T	
PWB	R531	METAL PR	RF-5EGKR22	1	4000201	
PWB	R531 or	METAL PR	RGC55 0.22	(1)	4000132	
PWB	R531 or	METAL P R	RGC55C 0.22 K	(1)	4000157	
PWB	R531 or	METAL PR	MPR5W+5W 0R22	(1)	4000233	
PWB	R533	METAL R	RNU1WCJ-3.3	1	453630334T	
PWB	R541	NF CARBON R	R25J-820	1	415478214T	!
PWB	R542	CARBON R	R16J-150	1	417341514T	
PWB	R543	CARBON R	R16J-180	1	417341814T	
PWB	R544	TRIM R	N06HR100BC	1	5210359T	

PWB	R544 or	TRIM R	N06HR100BC	(1)	5210399T
PWB	R601	CARBON R	R16J-5.6K	1	417345624T
PWB	R602	CARBON R	R16J-100K	1	417341044T
PWB	R603	CARBON R	R16J-150K	1	417341544T
PWB	R604	CARBON R	R16J-180	1	417341814T
PWB	R605	CARBON R	R16J-22	1	417342204T
PWB	R609	CARBON R	R16J-39K	1	417343934T
PWB	R610	CARBON R	R16J-560K	1	417345644T
PWB	R611	CARBON R	R16J-820K	1	417348244T
PWB	R612	CARBON R	R16J-39K	1	417343934T
PWB	R613	CARBON R	R16J-470K	1	417344744T
PWB	R614	CARBON R	R16J-120K	1	417341244T
PWB	R615	CARBON R	R16J-22K	1	417342234T
PWB	R616	CARBON R	R16J-100K	1	417341044T

PWB	R617	CARBON R	R16J-1K	1	417341024T	
PWB	R619	CARBON R	R16J-22K	1	417342234T	
PWB	R620	CARBON R	R16J-100K	1	417341044T	
PWB	R621	CARBON R	R16J-1K	1	417341024T	
PWB	R622	CARBON R	R16J-10K	1	417341034T	
PWB	R623	CARBON R	R16J-22K	1	417342234T	
PWB	R624	CARBON R	R16J-100K	1	417341044T	
PWB	R625	CARBON R	R16J-180K	1	417341844T	
PWB	R626	CARBON R	R16J-2.2M	1	417342254T	
PWB	R627	CARBON R	R16J-680K	1	417346844T	
PWB	R628	CARBON R	R16J-330K	1	417343344T	
PWB	R630	CARBON R	R16J-10K	1	417341034T	
PWB	R631	CARBON R	R16J-10K	1	417341034T	
PWB	R651	METAL O R	RS1WBJ-10K	1	443621034T	
PWB	R652	CARBON R	R16J-470K	1	417344744T	
PWB	R653	CARBON R	R16J-680K	1	417346844T	
PWB	R654	CARBON R	R16J-330K	1	417343344T	
PWB	R904	METAL R	RNU1/2WCJ-0.22	1	453532294T	
PWB	R905	METAL R	RNU1/2WCJ-0.47	1	453534794T	
PWB	R906	METAL O R	RS1/2WBJ-22	1	443522204T	
PWB	R907	METAL O R	RS1/2WBJ-22	1	443522204T	
PWB	R954	METAL O R	RS1/2WBJ-33	1	443523304T	
PWB	R981	METAL O R	RS1WBJ-470	1	443624714T	
PWB	R982	METAL O R	RS1WBJ-470	1	443624714T	
PWB	R983	METAL O R	RS1WBJ-470	1	443624714T	
PWB	[SW TRM]					
PWB	E801	RETAINER	KANAGU(EARTH)	1	27141059	
PWB	F901A	FUSE HOL	NSCT-1P2506	1	25052609T	!
PWB	F901Aor	FUSE HOL	NSCT-1P2031	(1)	25052133T	!
PWB	F901B	FUSE HOL	NSCT-1P2506	1	25052609T	!
PWB	F901Bor	FUSE HOL	NSCT-1P2031	(1)	25052133T	!
PWB	P301	PIN JACK	NPJ-1PDB581	1	25045801	
PWB	P301 or	PIN JACK	NPJ-1PDBL382	(1)	25045567	
PWB	P301 or	PIN JACK	NPJ-1PDB556	(1)	25045774	
PWB	P531	PLUG	NPLG-2P29	1	25055038	
PWB	P535A	SOCKET AS	NSAS-2P1852	1	2009991188UL	
PWB	P631	PLUG	NPLG-2P29	1	25055038	

PWB	P632A	PLUG	NPLG-3P131	1	25055147	
PWB	P902A	PLUG	NPLG-2P632	1	25055676	!
PWB	P903A	PLUG	NPLG-4P151	1	25055167	
PWB	P903B	SOCKET AS	NSAS-7P1834	1	20099900740UL	
PWB	P906A	PLUG	NPLG-2P632	1	25055676	!
PWB	P906B	SOCKET AS	NSAS-2P1830	1	20099800440UL	!
PWB	P908A	SOCKET AS	NSAS-10P1152	1	2002A391040UL	
PWB	P908B	PLUG	NPLG-5P133	1	25055149	
PWB	RL901	RELAY	NRL-1P5A-DC9-179	1	25065669	!
PWB	S901	RC SW	NRC-11007P	1	25065620	!

ONKYO CORPORATION

Service Dept. Technical Support : 2-1, Nisshin-cho, Neyagawa-shi, OSAKA 572-8540, JAPAN
Tel: 072-831-8023 Fax: 072-831-8163

ONKYO U.S.A. CORPORATION

18 Park Way, Upper Saddle River, N.J. 07458, U.S.A.
Tel: 800-229-1687, 201-785-2600 Fax: 201-785-2650 <http://www.us.onkyo.com/>

ONKYO EUROPE ELECTRONICS GmbH

Liegnitzerstrasse 6, 82194 Groebenzell, GERMANY
Tel: +49-8142-4401-0 Fax: +49-8142-4401-555 <http://www.eu.onkyo.com/>

ONKYO EUROPE ELECTRONICS GmbH (UK BRANCH)

The Coach House 81A High Street, Marlow, Buckinghamshire, SL7 1AB, UK
Tel: +44-(0)1628-473-350 Fax: +44-(0)1628-401-700

ONKYO CHINA LIMITED

Unit 1&12, 9/F, Ever Gain Plaza Tower 1, 88, Container Port Road, Kwai Chung,
N.T., Hong Kong. Tel: 852-2429-3118 Fax: 852-2428-9039
<http://www.ch.onkyo.com/>

